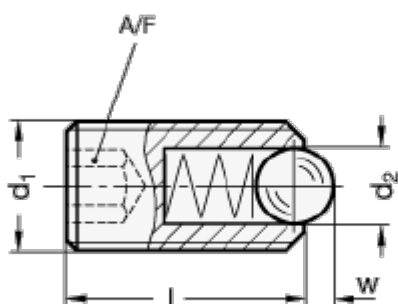


Article number: 206153M6KSN

Description: E+G stainless steel spring plungers 615.3-M6-KSN

## Measures



Thread locking **PFB**  
Polyamide patch  
for type **KN**



Thread locking **PFB**  
Polyamide patch  
for type **KSN**



Thread locking **MVK**  
Micro encapsulation precote  
(for all types)

|                              |       |
|------------------------------|-------|
| A/F                          | = 3   |
| d1                           | = M6  |
| d2                           | = 3.5 |
| l                            | = 15  |
| Max. spring load in N        | = 28  |
| Preload spring pressure in N | = 19  |
| w                            | = 1   |